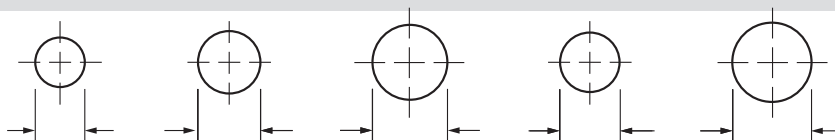

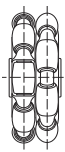

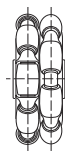

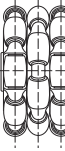




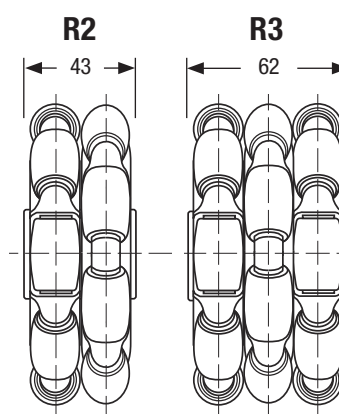
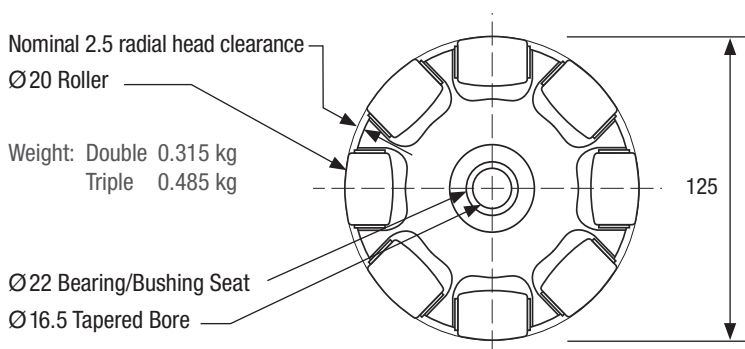
# 125mm Rotacasters

## Bores (nominal)



Roller Type	Load Capacity Lateral / Dynamic	Bush/Bearing	ID Ø8	Ø10	Ø12	Ø9.52	Ø12.7
 <b>85A</b> Polyurethane Roller on Nylon bushing	 <b>R2</b> 68/115 Kg	R2-1258-85 No Bearing					
		Nylon	---	---	R2-1258-85/N12	---	R2-1258-85/N13
		Shielded	---	R2-1258-85/Z10	---	R2-1258-85/Z09	---
		Sealed	R2-1258-85/S08	R2-1258-85/S10	R2-1258-85/S12	---	R2-1258-85/S13
 <b>95A</b> Polyurethane Roller on Nylon bushing	 <b>R2</b> 68/125 Kg	R2-1258-95 No Bearing					
		Nylon	---	---	R2-1258-95/N12	---	R2-1258-95/N13
		Shielded	---	R2-1258-95/Z10	---	R2-1258-95/Z09	---
		Sealed	R2-1258-95/S08	R2-1258-95/S10	R2-1258-95/S12	---	R2-1258-95/S13
 <b>95A</b> Polyurethane Roller on Nylon bushing	 <b>R3</b> 80/160 Kg	R3-1258-95 No Bearing					
		Nylon	---	---	R3-1258-95/N12	---	R3-1258-95/N13
		Shielded	---	R3-1258-95/Z10	---	R3-1258-95/Z09	---
		Sealed	---	R3-1258-95/S10	R3-1258-95/S12	---	R3-1258-95/S13

## Wheel Dimensions (in mm)



## Conversion

Metric	Imperial
3.18 mm	1/8"
6.35 mm	1/4"
8.00 mm	5/16"
9.52 mm	3/8"
11.10 mm	7/16"
12.70 mm	1/2"
15.88mm	5/8"
25.40 mm	1"
1 kg	2.2 lb

**Lateral Load Capacity** refers to the maximum load capacity of each wheel to travel directly sideways without radial head contact. ■ The **Dynamic Load Capacity** (while in motion) ranges between the maximum **Static Load Capacity** and the **Lateral Load Capacity** and varies proportionally to speed of the wheel travelling in its primary direction. ★ Single wheels are available upon request. ■ 12mm and 1/2" bush may require hub refit.



Distributor Rotacaster 1300 768 222





rotacaster.com.au

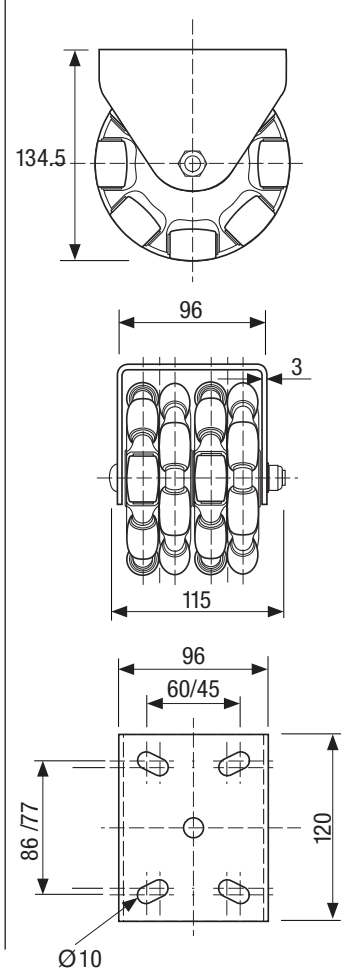
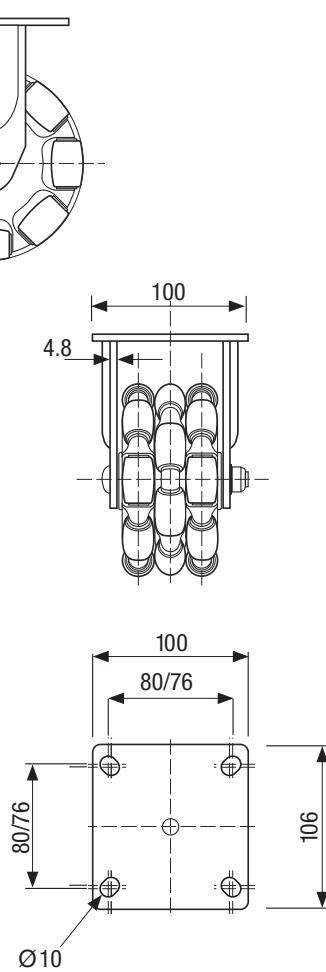
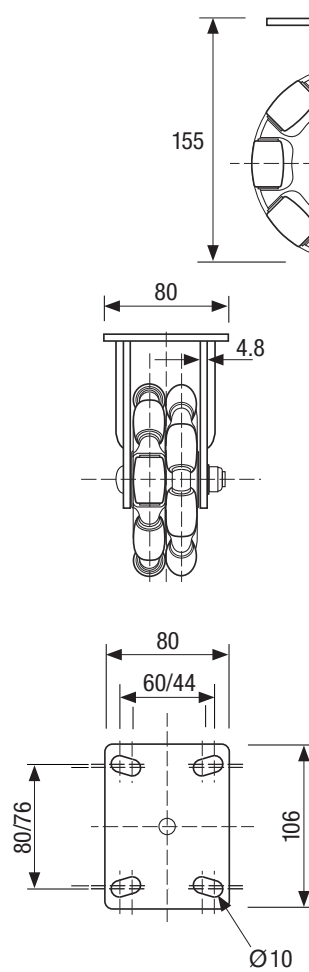
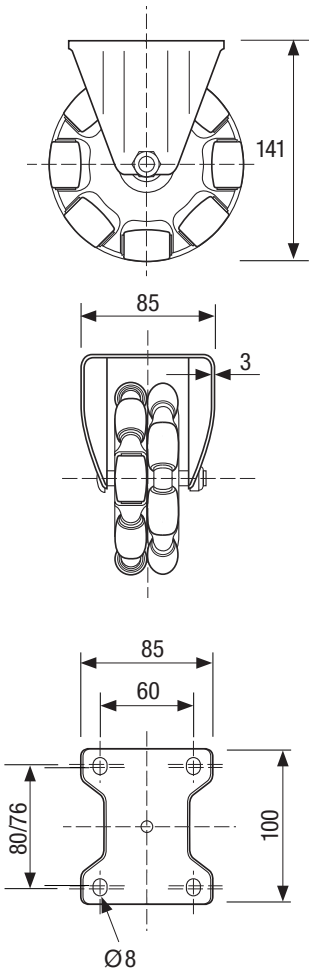
**rotacaster**  
the ultimate in manoeuvrability



# 125 mm Rotacaster Single Mounts

Steel Fork - Zinc Plated

	R2 Formed	R2 Welded	R3 Welded	R4 Formed
				
85A	R2-1258-85/MF	R2-1258-85/MW	---	R4-1258-85/MF
95A	R2-1258-95/MF	R2-1258-95/MW	R3-1258-95/MW	R4-1258-95/MF
Load Capacity Lateral/Dynamic	68/125 Kg	68/125 Kg	80/160 Kg	120/220 Kg



Distributor

Rotacaster

1300 768 222

[rotacaster.com.au](http://rotacaster.com.au)

**rotacaster**  
the ultimate in manoeuvrability

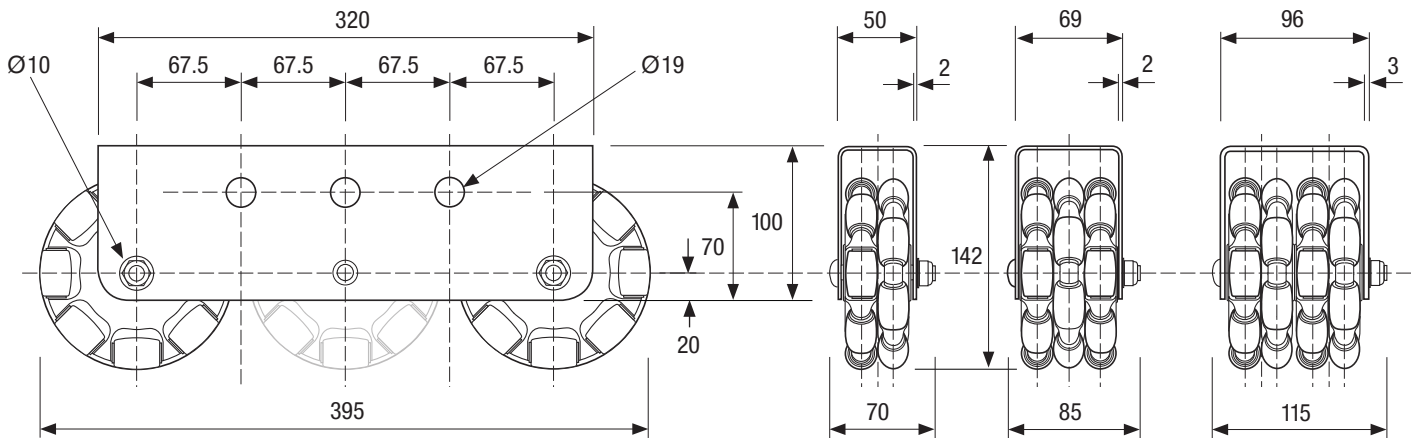
# 125 mm Rotacaster Multi Mounts

Zinc Plated Mild Steel	1100 mm Mount Channel	320 mm /2 (Dynamic Capacity)	320 mm /3 (Dynamic Capacity)
------------------------	-----------------------	------------------------------	------------------------------

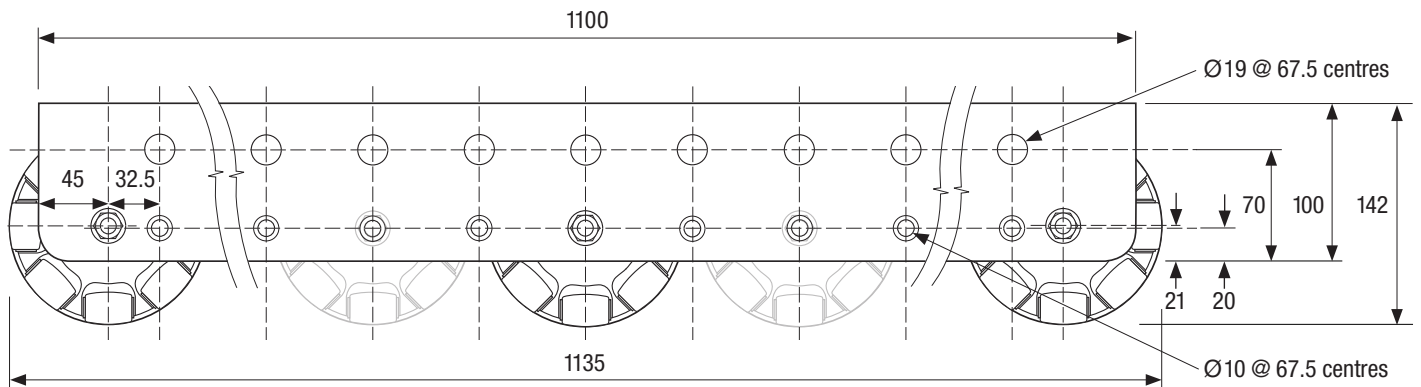


	85A	---	R2-1258-85/MM2 (135Kg)	R2-1258-85/MM3 (200Kg)
	95A	---	R2-1258-95/MM2 (165Kg)	R2-1258-95/MM3 (240Kg)
	95A	---	R3-1258-95/MM2 (220Kg)	R3-1258-95/MM3 (300Kg)
	85A	---	R4-1258-85/MM2 (220Kg)	R4-1258-85/MM3 (300Kg)
	95A	---	R4-1258-95/MM2 (250Kg)	R4-1258-95/MM3 (340Kg)

## Multi Mounts 320mm



## Multi Mounts 1100mm R4



Distributor

Rotacaster

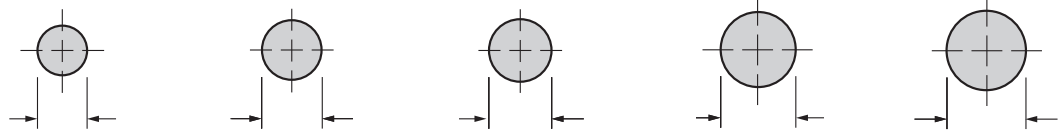
1300 768 222

[rotacaster.com.au](http://rotacaster.com.au)

**rotacaster**<sup>™</sup>  
the ultimate in manoeuvrability



# 125mm Rotacaster Accessories



## Bores

Ø8

Ø9.52

Ø10

Ø12

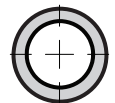
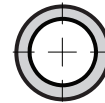
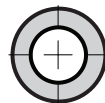
Ø12.7

## Nylon Bushings / Spacers OD Ø12.7

Ø15.88

Ø15.88

Ø15.88

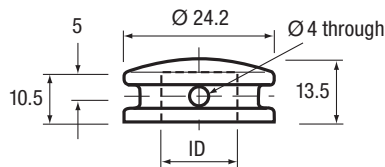


Length	ID Ø8	Ø10	Ø12	Ø12.7
25.2	13-9602-0813-025	13-9602-1016-025	13-9602-1216-025	13-9602-1316-025
50.4	13-9602-0813-050	13-9602-1016-050	13-9602-1216-050	13-9602-1316-050
75.6	---	13-9602-1016-075	13-9602-1216-075	13-9602-1316-075

## Nylon Axle Caps

Ø12 ID

Ø12.7 ID



13-2022-12

13-2022-13

## Floor Brakes

### 150mm Lift-Up Floor Lock 11-9002

Mounting height: 142mm  
Load capacity: 200Kg



### 137mm Friction Lock 11-9003

Mounting height: 132mm  
Load capacity: 770Kg



Distributor

Rotacaster

1300 768 222



rotacaster.com.au

**rotacaster**<sup>™</sup>  
the ultimate in manoeuvrability